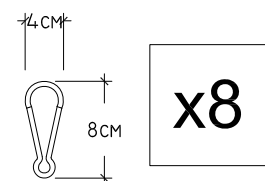
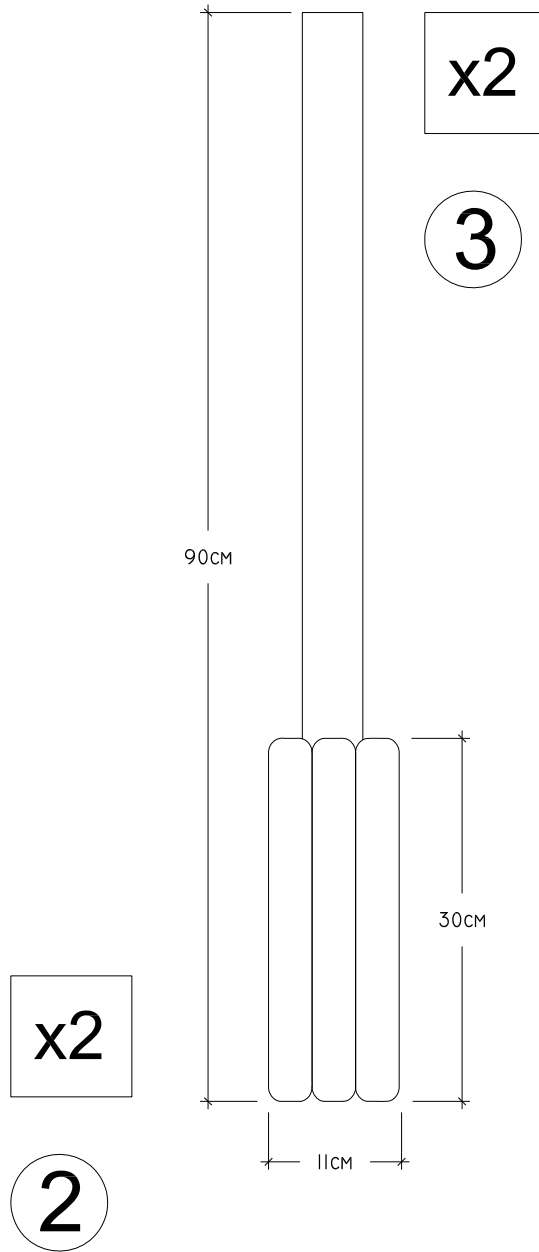
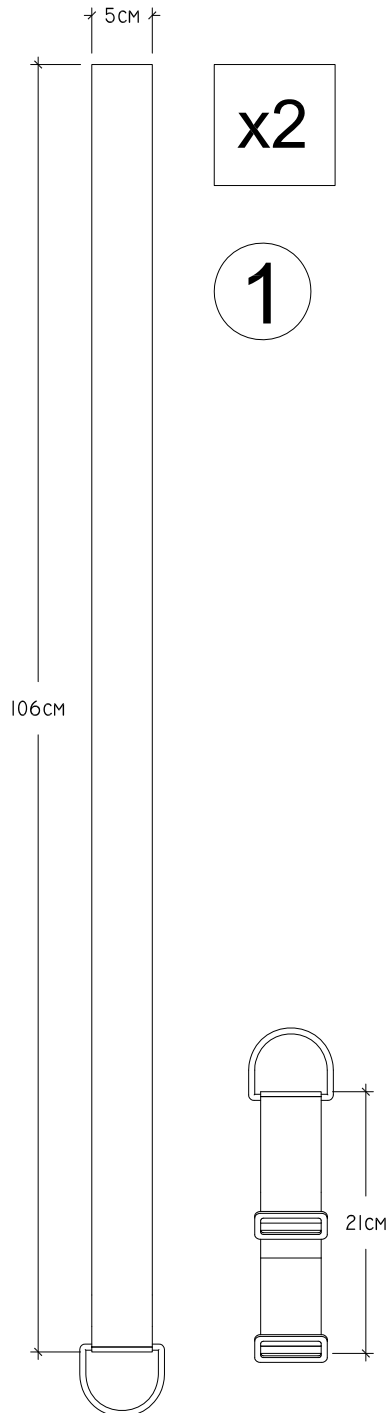
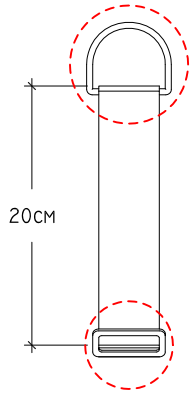


ASSEMBLY INSTRUCTIONS

TRIANGULAR SLING

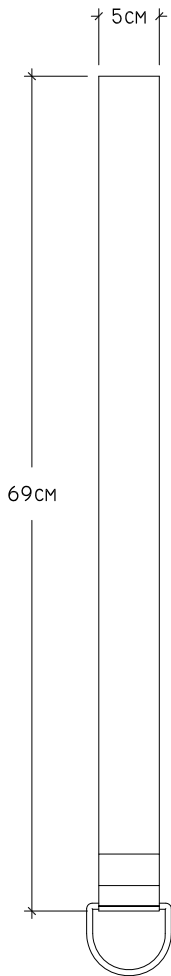
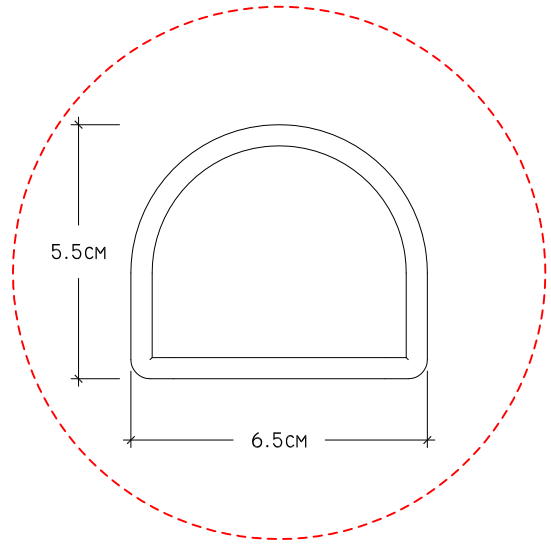
PARTS, QUANTITY & DIMENSIONS





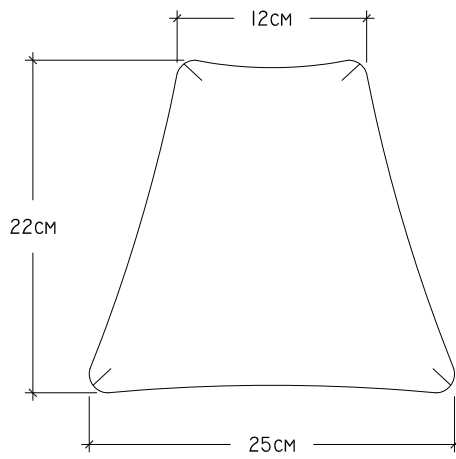
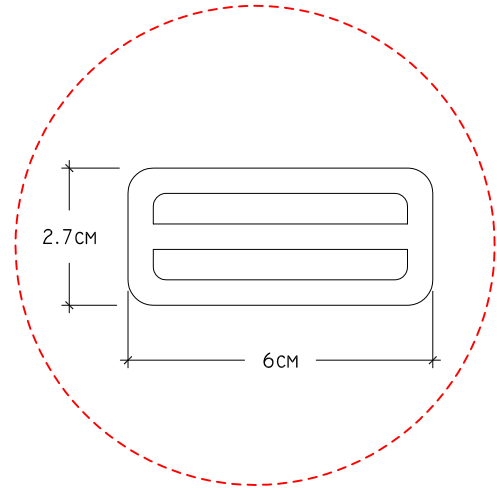
x2

4

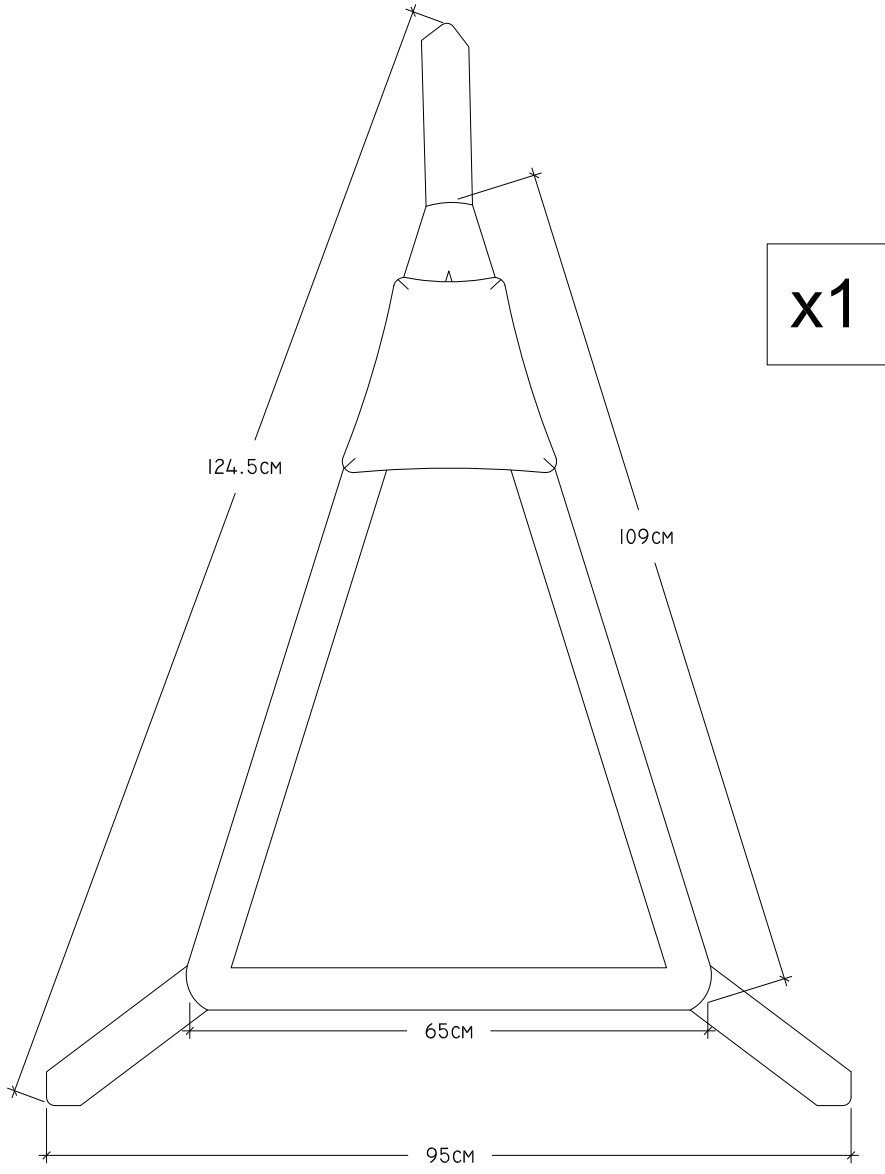


x2

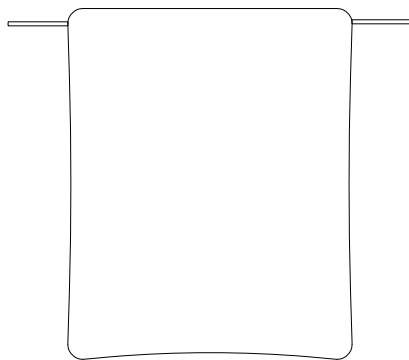
5



x1



x1

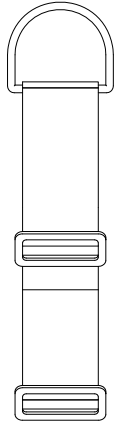


x1

Bag

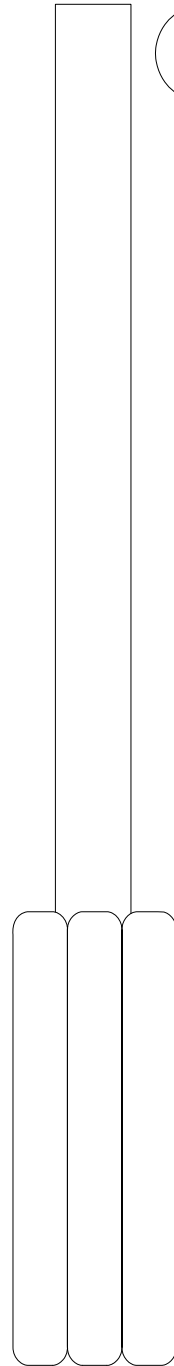
PROCESS

1

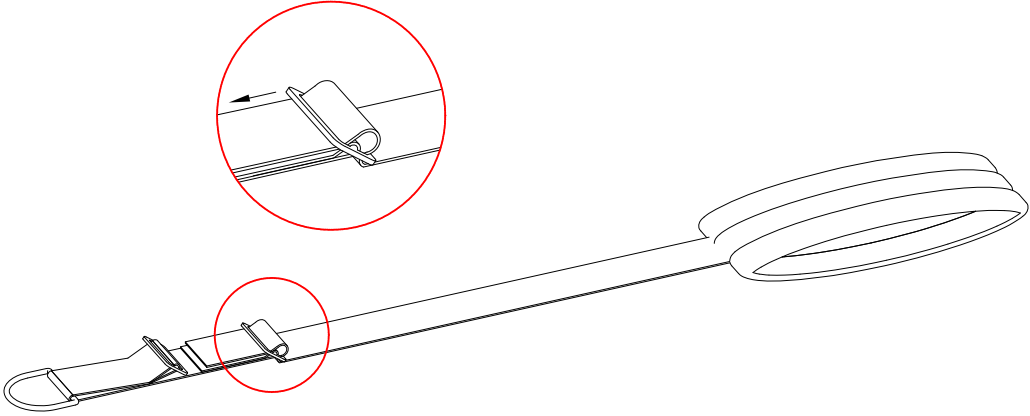
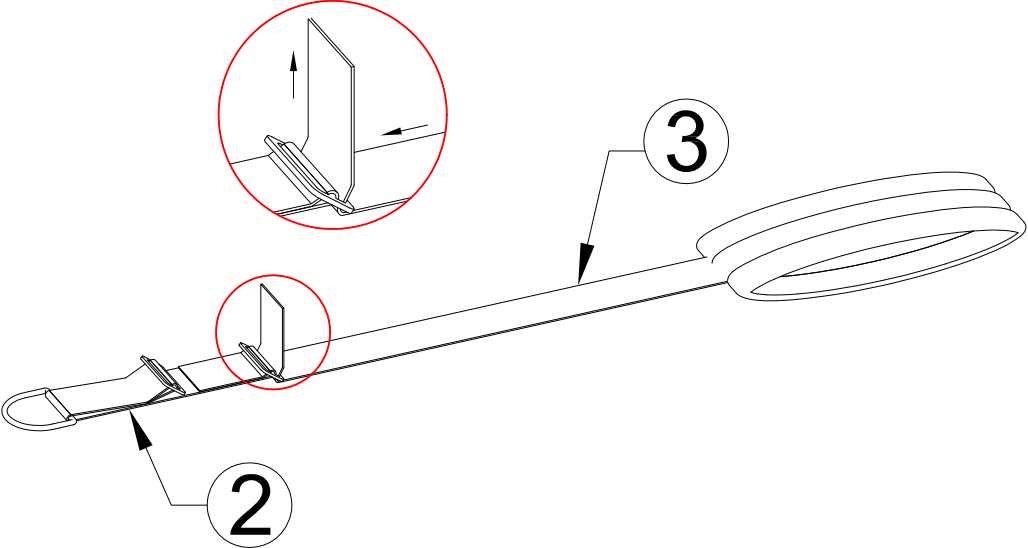


2

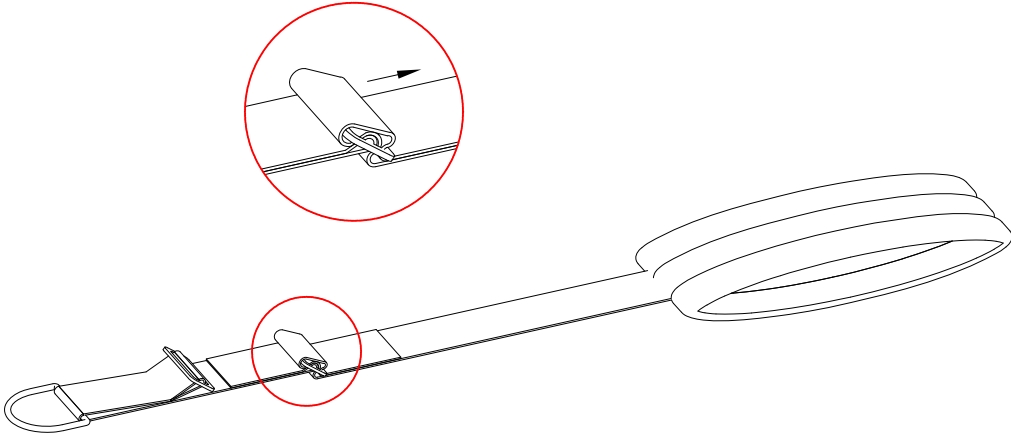
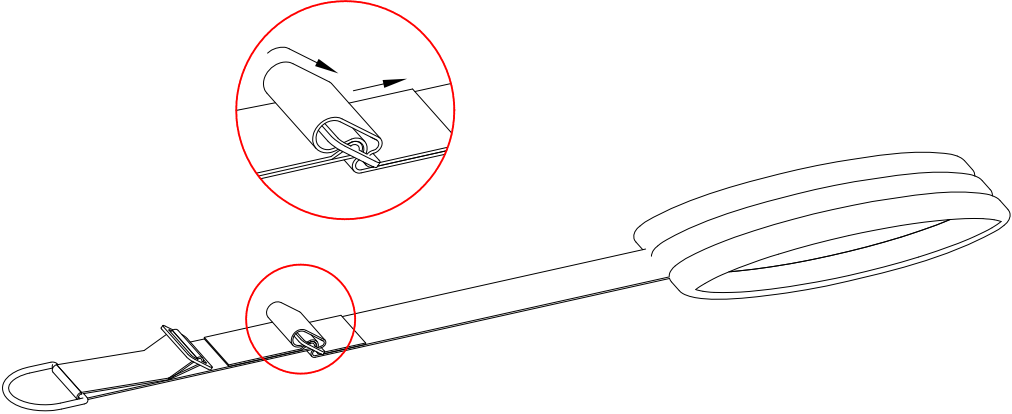
3



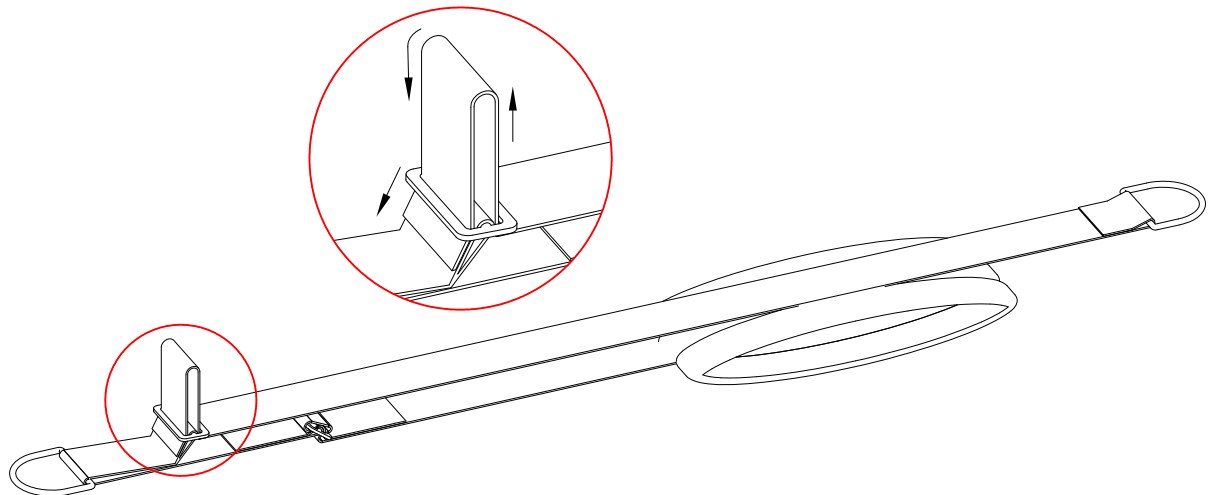
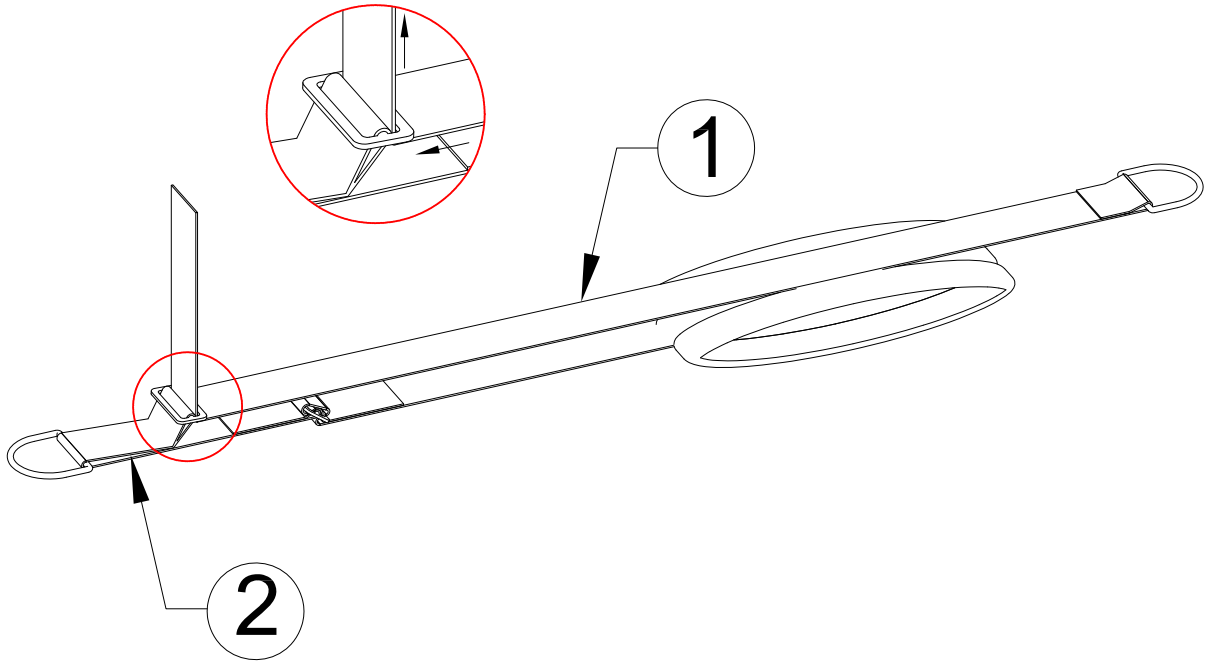
Step 01



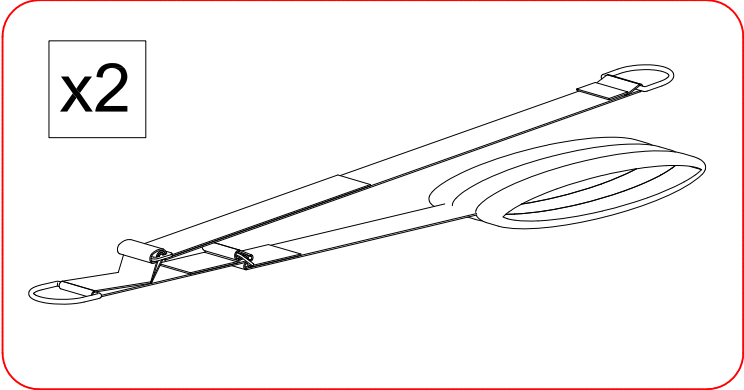
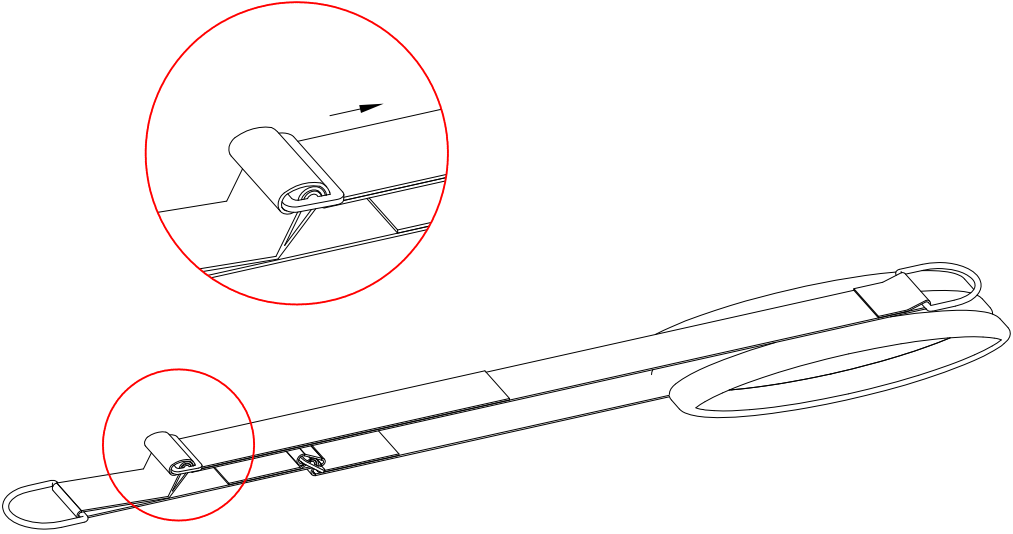
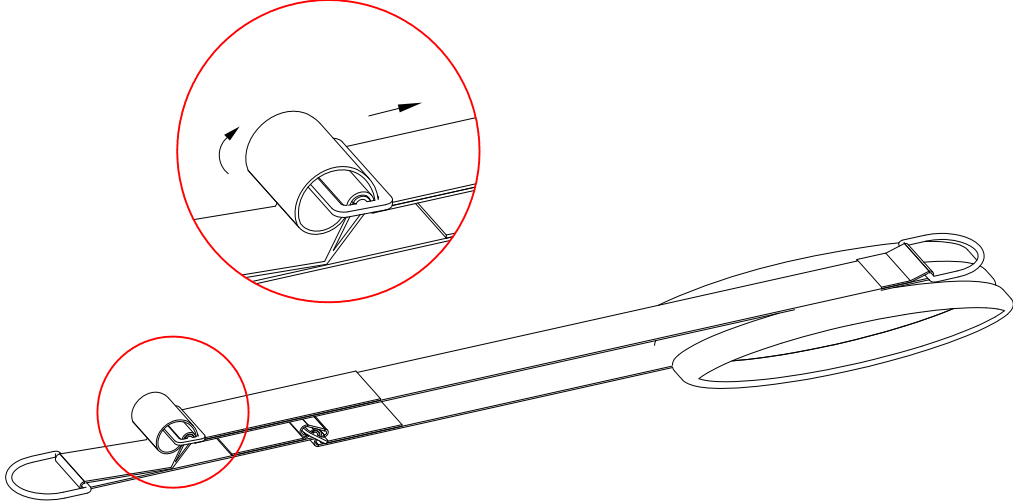
Step 02



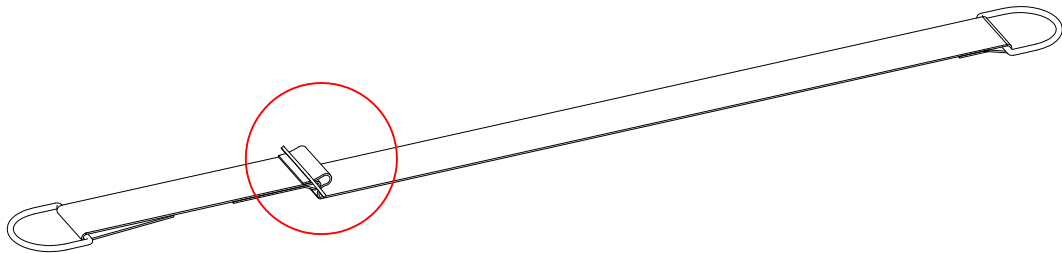
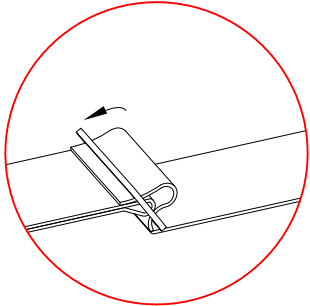
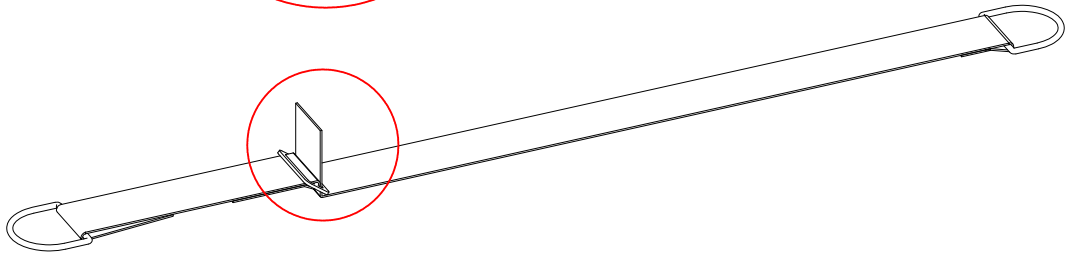
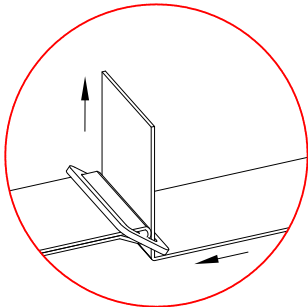
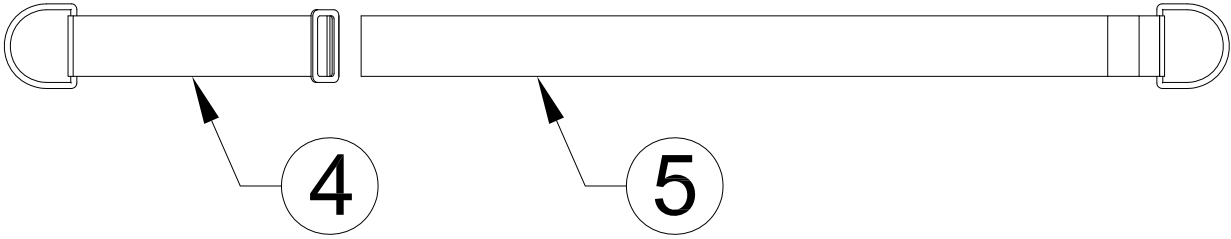
Step 03



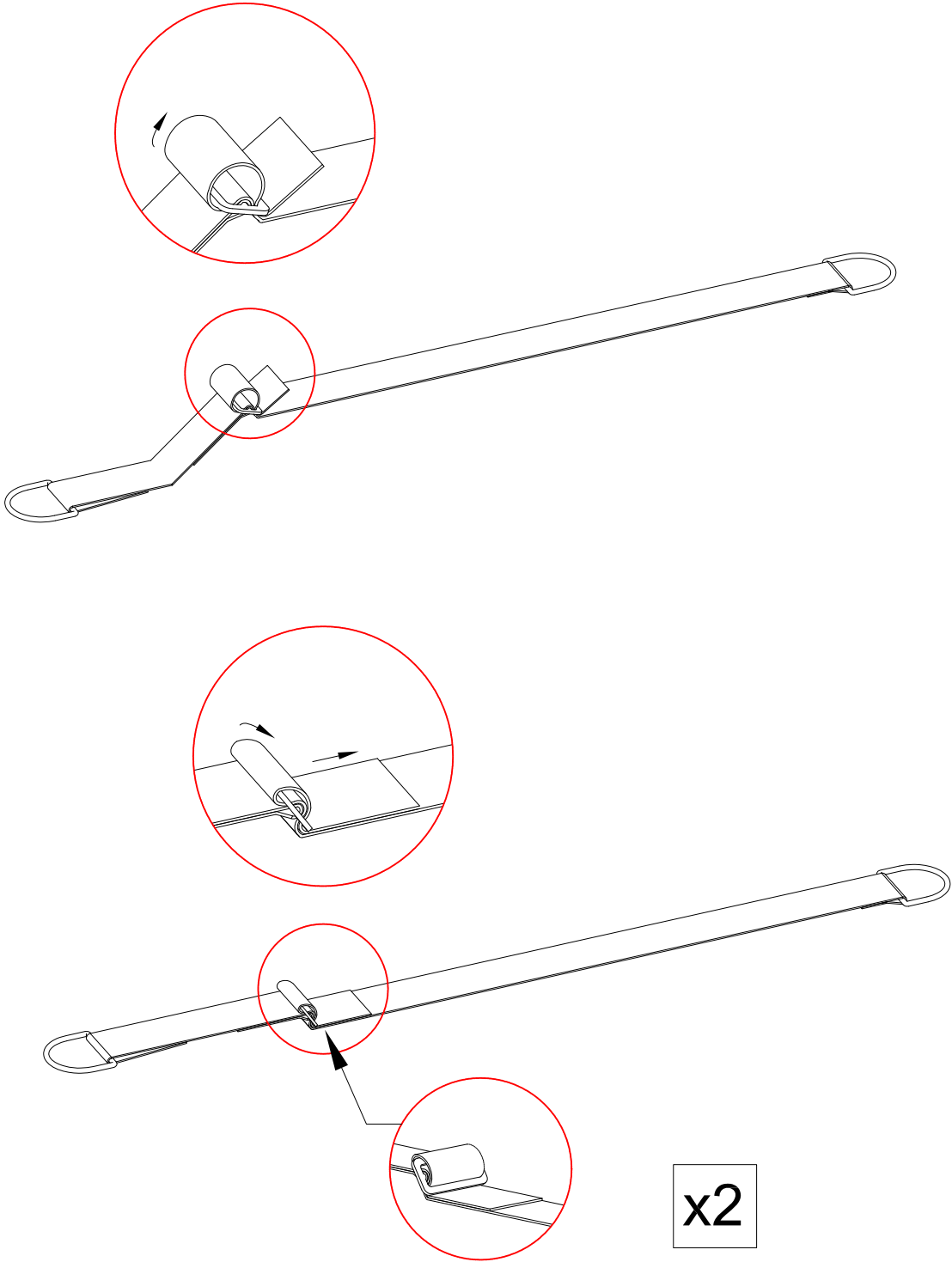
Step 04



Step 05

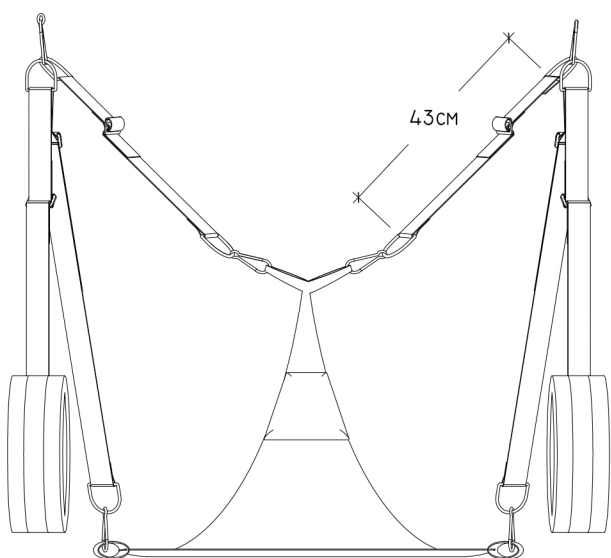


Step 06

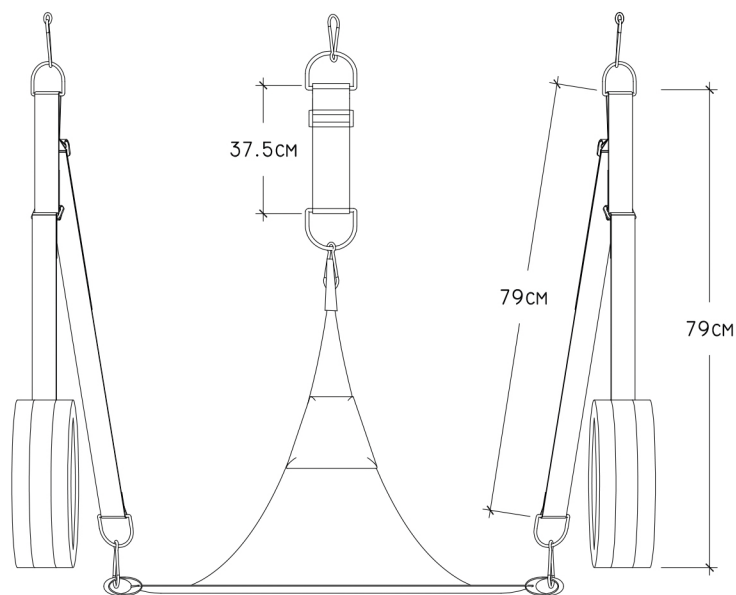


x2

Step 07



A



B

76cm from the floor