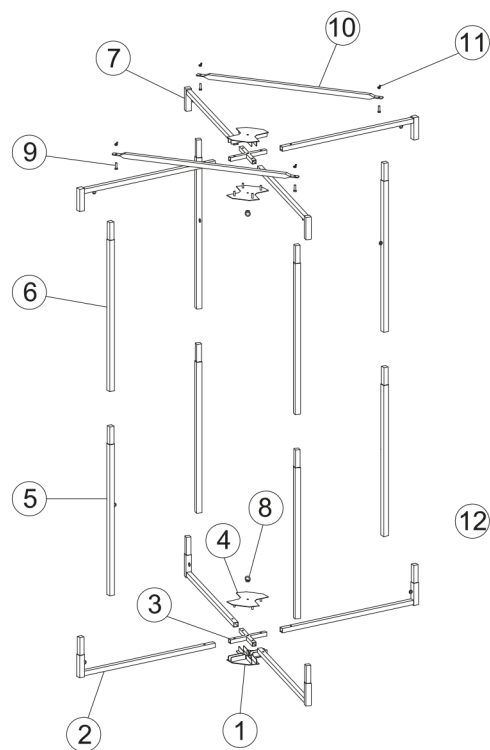


ASSEMBLY INSTRUCTIONS

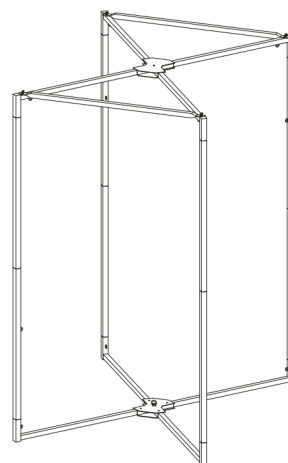
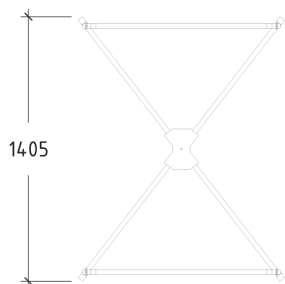
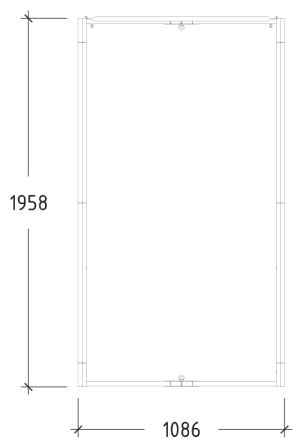
FRAME

PARTS & QUANTITY

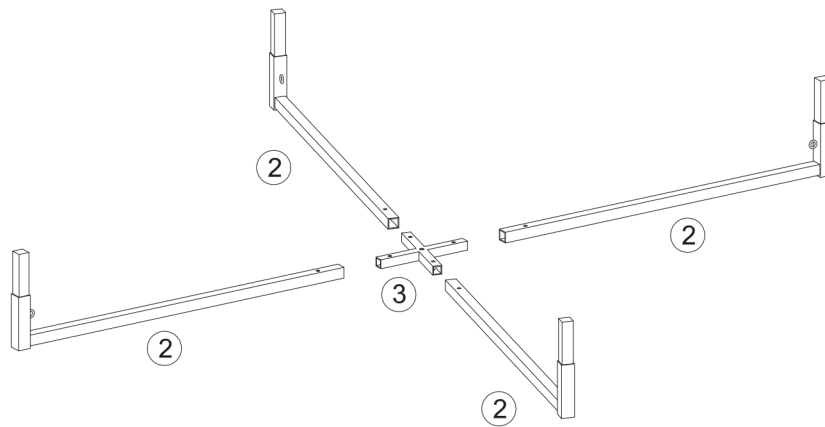


| NO | DESCRIPTION | QUANTITY |
|----|---------------------|----------|
| 1 | Sheet 3 mm | 2 |
| 2 | Profil 25x25x2 mm | 4 |
| 3 | Profil 20x20x1,5 mm | 2 |
| 4 | Sheet 3 mm | 2 |
| 5 | Profil 25x25x2 mm | 4 |
| 6 | Profil 25x25x2 mm | 4 |
| 7 | Profil 25x25x2 mm | 4 |
| 8 | Eyelet M8 | 2 |
| 9 | Screw M8x50 | 5 |
| 10 | Profil 25x25x2 mm | 2 |
| 11 | Wing nut M8 | 4 |
| 12 | Plastic cup 25x25 | 4 |

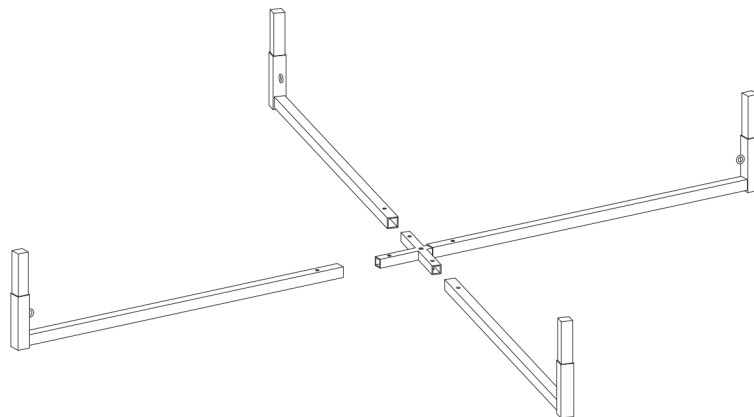
DIMENSIONS



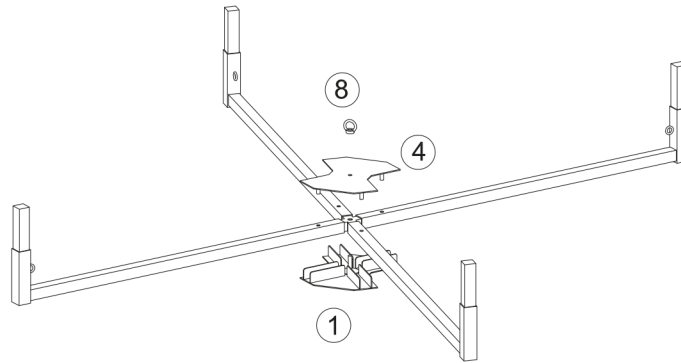
Step 01



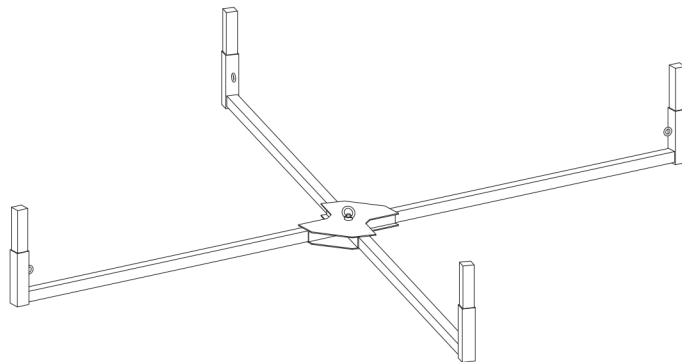
Step 02



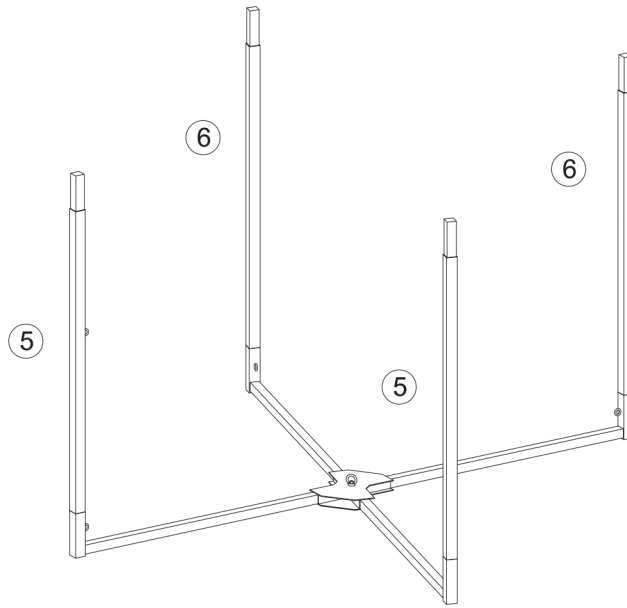
Step 03



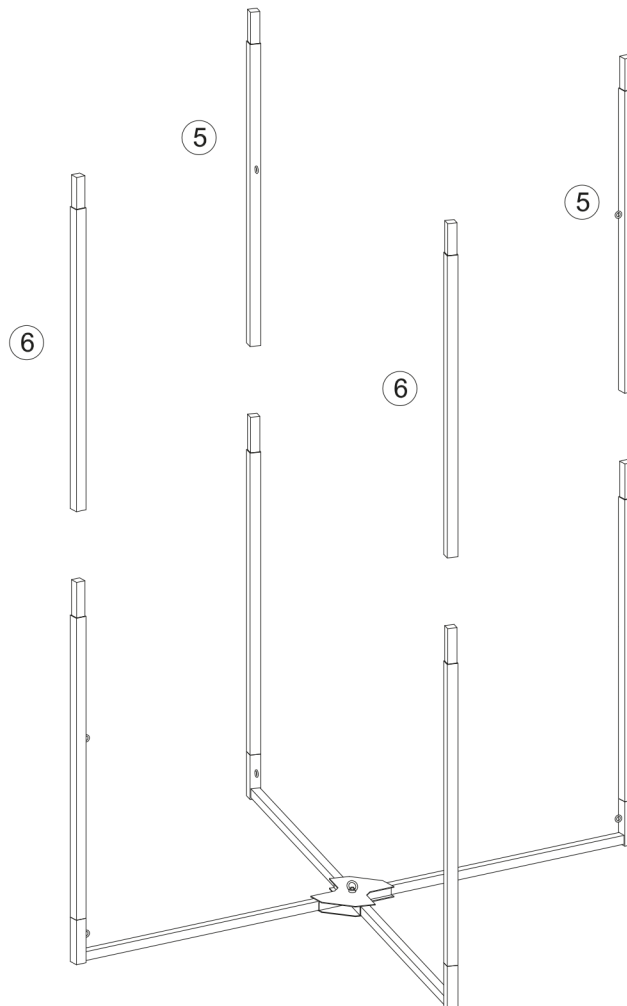
Step 04



Step 05



Step 06



Step 07

